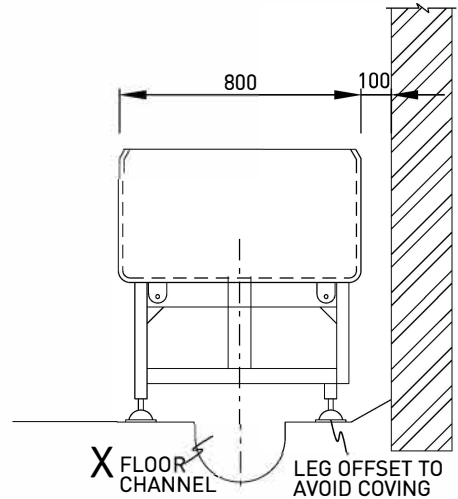
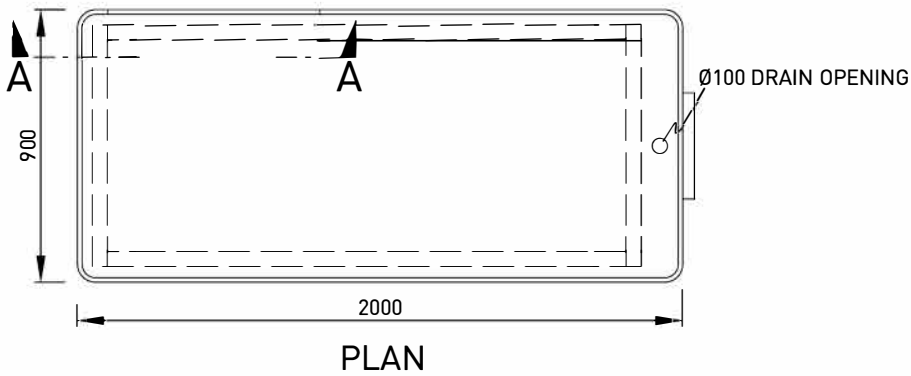


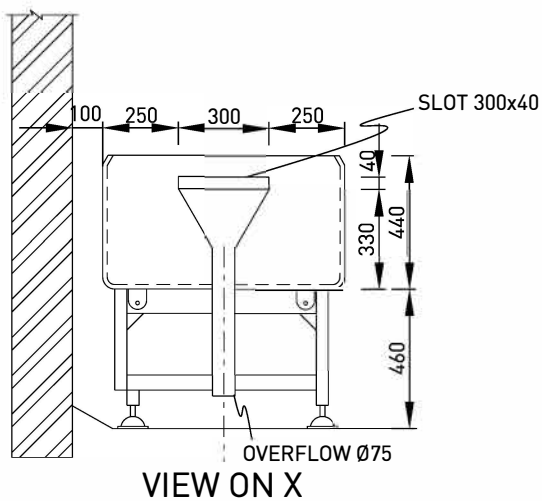
FRONT ELEVATION



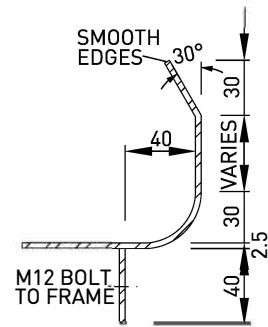
END ELEVATION



PLAN



VIEW ON X



TYPICAL EDGE DETAIL
SCALE: NTS

NOTES:

- TOP TO BE STAINLESS STEEL 2mmTHK
- ALL WELDS TO BE CONTINUOUS
- SUPPORT FRAME TO BE MILDSTEEL HOT DIP GALVANISED AFTER FABRICATION OR STAINLESS STEEL
- REMOVE ALL BURRS AND SHARP EDGES AND GRIND SMOOTH.
- ALL HOLLOW SECTIONS TO BE CLOSED AND RENDERED WATERTIGHT.

JOHANNESBURG
WITBANK
IN PARTNERSHIP WITH
VAN VLIET DE WET & PARTNERS

PO Box 48550
Roosevelt Park, 2129
Johannesburg
1501

Tel: 011 888 1425
Fax: 011 888 1075
johburg@scip.co.za
www.scip.co.za

PROJECT
ISILO COUNTY ABATTOIR

DESCRIPTION
BIBLE SOAKING TANK

DATE	MARCH '21	DRAWN	PF	SCALE	1:25	A4
DESIGNED	B.C	DRAWING NO.				
CHECKED	--	1898-MD-28 - Rev -				